

MSC 1012 questions for Chapter 8 set 6

Circuits:

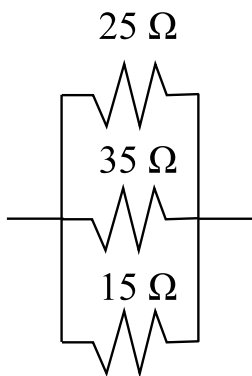
NAME \_\_\_\_\_

1) Calculate the resistance of the following circuit:



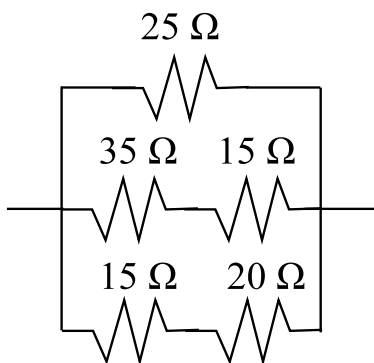
ANS \_\_\_\_\_

2) Calculate the resistance of the following circuit:



ANS \_\_\_\_\_

3) Calculate the resistance of the following circuit:



ANS \_\_\_\_\_